



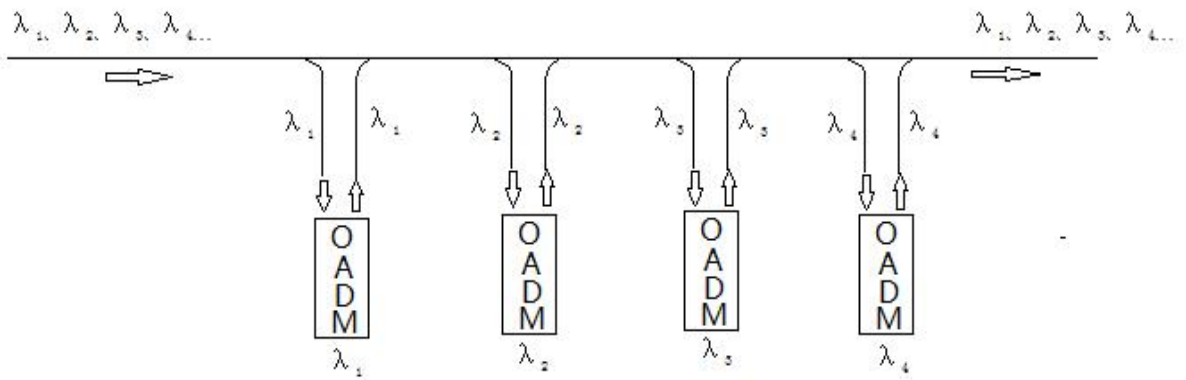
● FEATURES

- Add/Drop wavelength in CWDM transmission system
- Low insertion loss and high isolation and high reliability
- Compact solution

● SPECIFICATIONS

Parameter		Unit	Value
Optical Characteristics			
Operating Wavelength		nm	1260~1620
Working Wavelength (Drop/Add)		nm	CWDM ITU Grid
Passband bandwidth		nm	CW±6.5
Insertion Loss	Link in to Drop	dB	≤ -0.6
	Add to Link out	dB	≤ -0.6
	Link in to out	dB	≤ -0.6
Isolation	Link out@Drop	dB	≥ 18
	Add@Link in	dB	≥ 30
Directivity		dB	≥ 50
Return loss		dB	≥ 45
PDL		dB	≤ 0.10
Power handling		mW	≤ 500
Fixed wavelength OADM with XFP Module			
Transceiver (10G/25G XFP+ 10KM)			
Launched power		dBm	-1~+5
Receiver / Drop			
Receiver sensitivity		dBm	-23 (Max)
Operating temperature		°C	-25~ +85
Storage temperature		°C	-40 ~ +85
Package Size	mm	L60*W22*H10 (2x2 Module)	
		XFP	
Remark: The reliability test conformed the telcordia GR-1221-CORE or GR-468-CORE.			

● **Diagram**



● **Package drawing**

