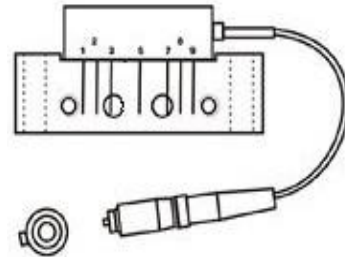


FEATURES

- Excellent Linearity
- High Optical Input Power Range
- Excellent Flatness
- Optimal Reliability
- Low Noise
- Outline Standard
- GaAs MMIC
- High reliability
- FC/APC SC/APC



DESCRIPTION

The SMO1228 has an FC/APC or SC/APC connector.
 The amplifier supply voltage pin is connected to 24V(DC) .
 The modules have a mono mode optical input suitable for 1290 to 1600nm wavelengths a terminal to monitor the photo diode current and an electrical output having a characteristic impedance of 75Ω .

Pin	Description
1	Monitor current
5	+V _B
9	Output
2、3、7、8	GND

QUICK REFERENCE DATA

SYMBOL	PARAMETER	CONDITIONS	MIN	MAX	UNITS
f	Frequency range		40	1200	MHz
S ₂₂	Output return losses	f=40 to 1200 MHz	-	-11	dB
ORL	Optical input return losses	$\lambda=1310$	45	-	dB
I _{tot}	Total current consumption(DC)	V _B =24V	230	280	mA

HANDLING

Fiberglass optical coupling: maximum tensile strength=5N;minimum bending radius=35mm

SANLAND TECHNOLOGY

- Tel: 86-0755-28968333
- Fax:86-0755-89724455
- Rev B 03/2021

- Http: www.sanlandtech.com
- E-mail: info@sanlandtech.com

LIMITING VALUES

In accordance with the Absolute Maximum Rating System

SYMBOL	PARAMETER	CONDITION	MIN.	MAX.	UNITS
P _{in}	Optical input power	continuous	-	3	mW
T _{stg}	Storage temperature		-40	+85	°C
T _{mb}	Operating mounting base temperature		-20	+85	°C
ESD	ESD sensitivity	Human body model; R=1.5KΩ ;C=100pF	500	-	V

CHARACTERISTICS

(Bandwidth 40 to 1200MHz; T_{mb}=25°C, V_B=24V, Z_s=Z_L=75 Ω)

SYMBOL	PARAMETER	UNIT	MIN.	TYP.	MAX.	CONDITIONS
S	Response	V/W	850	-	-	λ =1300nm
SL	Slope cable equivalent	dB	0.5		1.5	f=40 to 1200 MHz
FL	Flatness straight line	dB	-	-	±0.75	f=40 to 1200 MHz
V _o	Output voltage	dBμV	-	93	-	110 channels flat; P _{opt} = -1dBm; CTB measured at 547.25 MHz; CSO measured at 548.5 MHz;
CTB	Composite triple beat	dB	-	-	-62	
CSO	Composite second order distortion	dB	-	-	-63	
CNR	Carrier to noise ratio	dB	51	-	-	
S ₂₂	Output return loss	dB	-	-	-11	f=40 to 1200 MHz
I _{tot}	Total current consumption	mA	230	-	280	V _B =24V

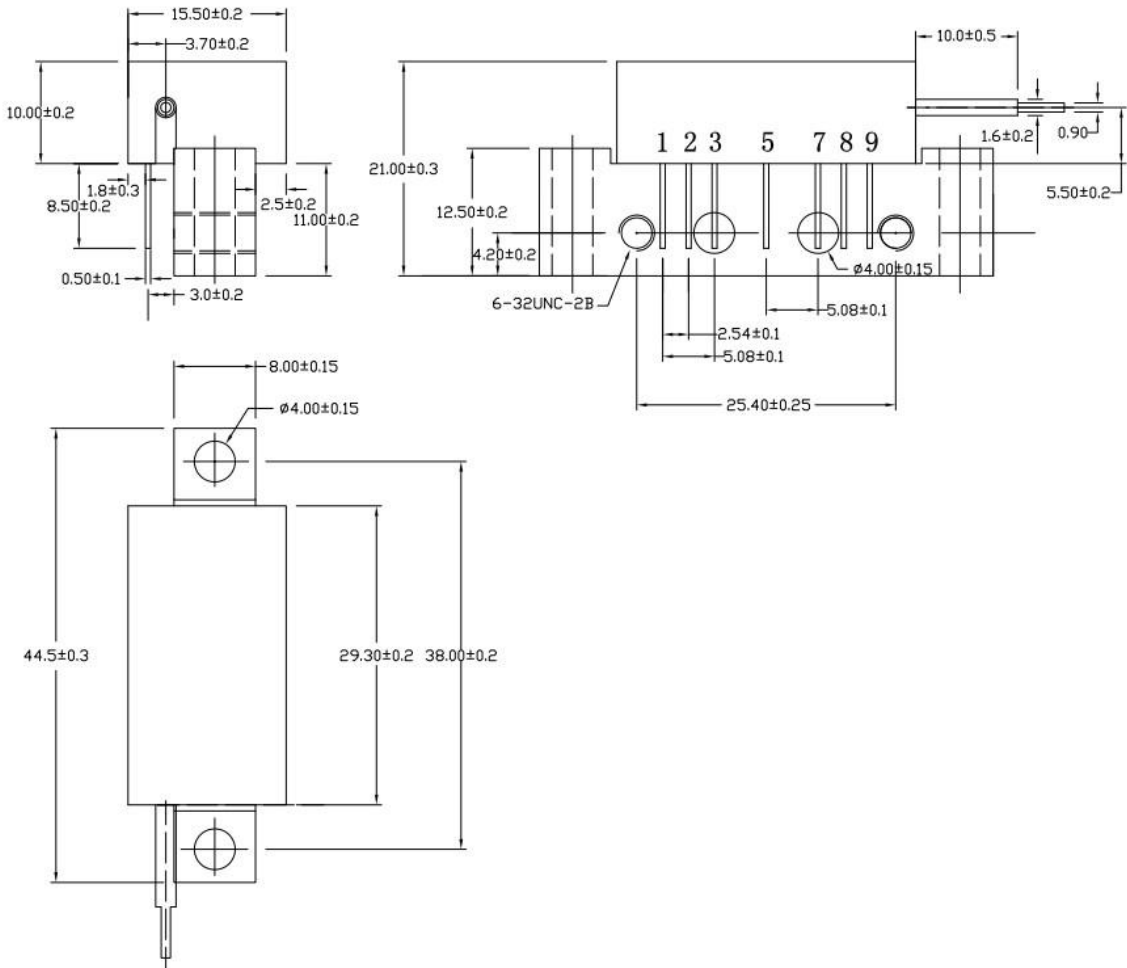
The module normally operates at V_B=24 V(±0.5)

SANLAND

GaAs Optical Receivers

SMO1228/CATV

MODULE OUTLINE



SANLAND TECHNOLOGY

- Tel: 86-0755-28968333
- Fax: 86-0755-89724455
- Rev B 03/2021

- Http: www.sanlandtech.com
- E-mail: info@sanlandtech.com